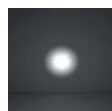




WH BK SV

Tutor

- Aluminum material in powdercoating.
- Lumileds COB, Ra>90, CCT 3000K/4000K/5000K in option,3SDCM
- Build-in driver without track box or Polycarbonate track box with drop-in driver in option.
- Philips driver, PF>0.95, Triac / 0-10v / DALI in option.
- Spot / Medium / Flood LENS in option, changeable in the field.
- Elliptic / Soft light / Frosted focus optic filter in option.
- Easy change on the accessory by removing the baffle.
- Black / Soft gold / White baffle in option.
- 3 phase track and 1 phase track adaptor are available.



14° / 16° / 18°



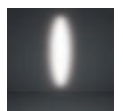
22° / 24° / 32°



34° / 38° / 40°

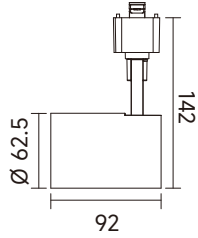


56°



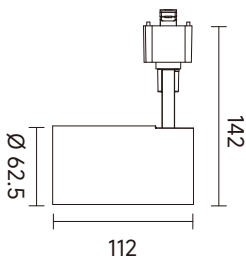
Oval

TRIAC LED IP44 IP20 RA>80 RA>90



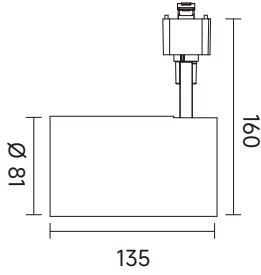
CODE	Watts	CCT	Beam	Lumen
1604V-082S	8W	● WL 2700K	18°	590 lm
1604V-082M	8W	● WL 2700K	24°	562 lm
1604V-083S	8W	● WL 3000K	18°	609 lm
1604V-083M	8W	● WL 3000K	24°	580 lm
1604V-084S	8W	● NL 4000K	18°	670 lm
1604V-084M	8W	● NL 4000K	24°	638 lm

TRIAC LED IP44 IP20 RA>80 RA>90



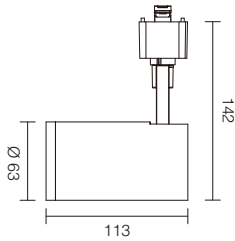
CODE	Watts	CCT	Beam	Lumen
1604N-082S	8W	● WL 2700K	18°	590 lm
1604N-082M	8W	● WL 2700K	24°	562 lm
1604N-083S	8W	● WL 3000K	18°	609 lm
1604N-083M	8W	● WL 3000K	24°	580 lm
1604N-084S	8W	● NL 4000K	18°	670 lm
1604N-084M	8W	● NL 4000K	24°	638 lm

TRIAC LED IP20 RA>80 RA>90



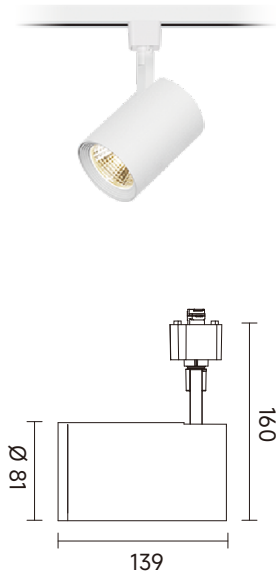
CODE	Watts	CCT	Beam	Lumen
1614N-152S	15W	WL 2700K	16°	1230 lm
1614N-152L	15W	WL 2700K	32°	1181 lm
1614N-153S	15W	WL 3000K	16°	1268 lm
1614N-153L	15W	WL 3000K	32°	1218 lm
1614N-154S	15W	NL 4000K	16°	1353 lm
1614N-154L	15W	NL 4000K	32°	1340 lm

LED IP20 RA>90



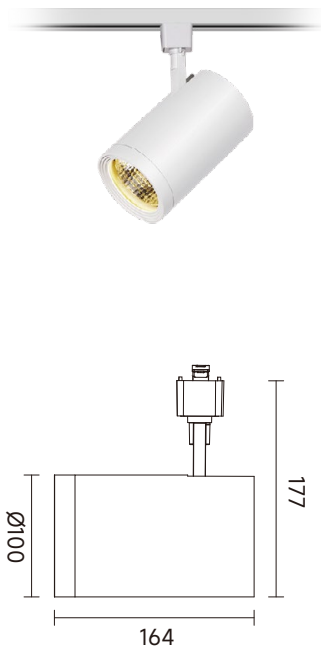
CODE	Watts	CCT	Beam	Lumen
16046L-082S	8W	WL 2700K	18°	723 lm
16046L-082M	8W	WL 2700K	24°	616 lm
16046L-082L	8W	WL 2700K	34°	667 lm
16046L-083S	8W	WL 3000K	18°	746 lm
16046L-083M	8W	WL 3000K	24°	635 lm
16046L-083L	8W	WL 3000K	34°	688 lm
16046L-084S	8W	NL 4000K	18°	820 lm
16046L-084M	8W	NL 4000K	24°	698 lm
16046L-084L	8W	NL 4000K	34°	756 lm

LED IP20 RA>80



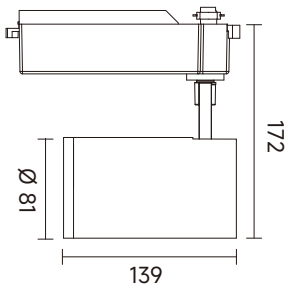
CODE	Watts	CCT	Beam	Lumen
16146L-152S	15W	● WL 2700K	14°	1428 lm
16146L-152M	15W	● WL 2700K	22°	1261 lm
16146L-152L	15W	● WL 2700K	38°	1253 lm
16146L-153S	15W	● WL 3000K	14°	1472 lm
16146L-153M	15W	● WL 3000K	22°	1300 lm
16146L-153L	15W	● WL 3000K	38°	1292 lm
16146L-154S	15W	● NL 4000K	14°	1619 lm
16146L-154M	15W	● NL 4000K	22°	1430 lm
16146L-154L	15W	● NL 4000K	38°	1421 lm

TRIAC LED IP20 0-10V RA>90

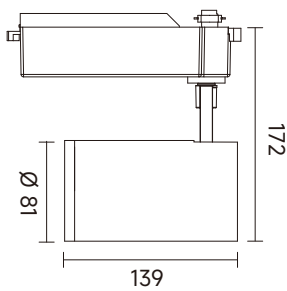


CODE	Watts	CCT	Beam	Lumen
16246L-202S	20W	● WL 2700K	16°	1897 lm
16246L-202M	20W	● WL 2700K	22°	1974 lm
16246L-202L	20W	● WL 2700K	40°	1872 lm
16246L-202W	20W	● WL 2700K	56°	1776 lm
16246L-203S	20W	● WL 3000K	16°	2035 lm
16246L-203M	20W	● WL 3000K	22°	1936 lm
16246L-203L	20W	● WL 3000K	40°	1930 lm
16246L-203W	20W	● WL 3000K	56°	1831 lm
16246L-204S	20W	● NL 4000K	16°	2238 lm
16246L-204M	20W	● NL 4000K	22°	2129 lm
16246L-204L	20W	● NL 4000K	40°	2123 lm
16246L-204W	20W	● NL 4000K	56°	2014 lm
16246L-302S	30W	● WL 2700K	16°	2655lm
16246L-302M	30W	● WL 2700K	22°	2642lm
16246L-302L	30W	● WL 2700K	40°	2651lm
16246L-302W	30W	● WL 2700K	56°	2492lm
16246L-303S	30W	● WL 3000K	16°	2737lm
16246L-303M	30W	● WL 3000K	22°	2724lm
16246L-303L	30W	● WL 3000K	40°	2733lm
16246L-303W	30W	● WL 3000K	56°	2569lm
16246L-304S	30W	● NL 4000K	16°	3010lm
16246L-304M	30W	● NL 4000K	22°	2996lm
16246L-304L	30W	● NL 4000K	40°	3006lm
16246L-304W	30W	● NL 4000K	56°	2825lm

DALI TRIAC LED IP20 0-10V RA>80 RA>90

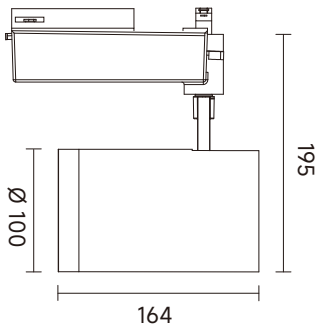


CODE	Watts	CCT	Beam	Lumen
16046P-102S	10W	WL 2700K	18°	723 lm
16046P-102M	10W	WL 2700K	24°	741 lm
16046P-102L	10W	WL 2700K	34°	647 lm
16046P-103S	10W	WL 3000K	18°	745 lm
16046P-103M	10W	WL 3000K	24°	764 lm
16046P-103L	10W	WL 3000K	34°	667 lm
16046P-104S	10W	NL 4000K	18°	819 lm
16046P-104M	10W	NL 4000K	24°	840 lm
16046P-104L	10W	NL 4000K	34°	734 lm
16046P-152S	15W	WL 2700K	18°	954 lm
16046P-152M	15W	WL 2700K	24°	957 lm
16046P-152L	15W	WL 2700K	34°	858 lm
16046P-153S	15W	WL 3000K	18°	984 lm
16046P-153M	15W	WL 3000K	24°	987 lm
16046P-153L	15W	WL 3000K	34°	885 lm
16046P-154S	15W	NL 4000K	18°	1082 lm
16046P-154M	15W	NL 4000K	24°	1086 lm
16046P-154L	15W	NL 4000K	34°	973 lm



CODE	Watts	CCT	Beam	Lumen
16146P-102S	10W	WL 2700K	14°	845 lm
16146P-102M	10W	WL 2700K	22°	750 lm
16146P-102L	10W	WL 2700K	38°	706 lm
16146P-103S	10W	WL 3000K	14°	872 lm
16146P-103M	10W	WL 3000K	22°	774lm
16146P-103L	10W	WL 3000K	38°	728 lm
16146P-104S	10W	NL 4000K	14°	960 lm
16146P-104M	10W	NL 4000K	22°	851 lm
16146P-104L	10W	NL 4000K	38°	800 lm
16146P-152S	15W	WL 2700K	14°	1206 lm
16146P-152M	15W	WL 2700K	22°	884 lm
16146P-152L	15W	WL 2700K	38°	894 lm
16146P-153S	15W	WL 3000K	14°	1243 lm
16146P-153M	15W	WL 3000K	22°	912 lm
16146P-153L	15W	WL 3000K	38°	922 lm
16146P-154S	15W	NL 4000K	14°	1367 lm
16146P-154M	15W	NL 4000K	22°	1003 lm
16146P-154L	15W	NL 4000K	38°	1014 lm
16146P-202S	20W	WL 2700K	14°	1392 lm
16146P-202M	20W	WL 2700K	22°	1187lm
16146P-202L	20W	WL 2700K	38°	1330 lm
16146P-203S	20W	WL 3000K	14°	1435 lm
16146P-203M	20W	WL 3000K	22°	1224 lm
16146P-203L	20W	WL 3000K	38°	1371 lm
16146P-204S	20W	NL 4000K	14°	1578 lm
16146P-204M	20W	NL 4000K	22°	1346 lm
16146P-204L	20W	NL 4000K	38°	1508 lm

DALI TRIAC LED IP20 0-10V RA>90



CODE	Watts	CCT	Beam	Lumen
16246P-202S	20W	WL 2700K	16°	1974 lm
16246P-202M	20W	WL 2700K	22°	1878 lm
16246P-202L	20W	WL 2700K	40°	1872 lm
16246P-202W	20W	WL 2700K	56°	1776 lm
16246P-203S	20W	WL 3000K	16°	2035 lm
16246P-203M	20W	WL 3000K	22°	1936 lm
16246P-203L	20W	WL 3000K	40°	1930 lm
16246P-203W	20W	WL 3000K	56°	1831 lm
16246P-204S	20W	NL 4000K	16°	2238 lm
16246P-204M	20W	NL 4000K	22°	2129 lm
16246P-204L	20W	NL 4000K	40°	2123 lm
16246P-204W	20W	NL 4000K	56°	2013 lm
16246P-302S	30W	WL 2700K	16°	2655 lm
16246P-302M	30W	WL 2700K	22°	2642 lm
16246P-302L	30W	WL 2700K	40°	2651 lm
16246P-302W	30W	WL 2700K	56°	2491 lm
16246P-303S	30W	WL 3000K	16°	2737 lm
16246P-303M	30W	WL 3000K	22°	2724 lm
16246P-303L	30W	WL 3000K	40°	2733 lm
16246P-303W	30W	WL 3000K	56°	2569 lm
16246P-304S	30W	NL 4000K	16°	3010 lm
16246P-304M	30W	NL 4000K	22°	2996 lm
16246P-304L	30W	NL 4000K	40°	3006 lm
16246P-304W	30W	NL 4000K	56°	2826 lm
16246P-402S	40W	WL 2700K	16°	4008 lm
16246P-402M	40W	WL 2700K	22°	3587 lm
16246P-402L	40W	WL 2700K	40°	3742 lm
16246P-402W	40W	WL 2700K	56°	3629 lm
16246P-403S	40W	WL 3000K	16°	4132 lm
16246P-403M	40W	WL 3000K	22°	3698 lm
16246P-403L	40W	WL 3000K	40°	3858 lm
16246P-403W	40W	WL 3000K	56°	3724 lm
16246P-404S	40W	NL 4000K	16°	4545 lm
16246P-404M	40W	NL 4000K	22°	4068 lm
16246P-404L	40W	NL 4000K	40°	4243 lm
16246P-404W	40W	NL 4000K	56°	4116 lm