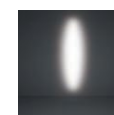
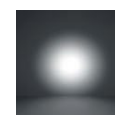
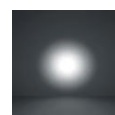
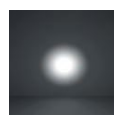
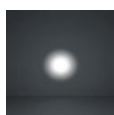




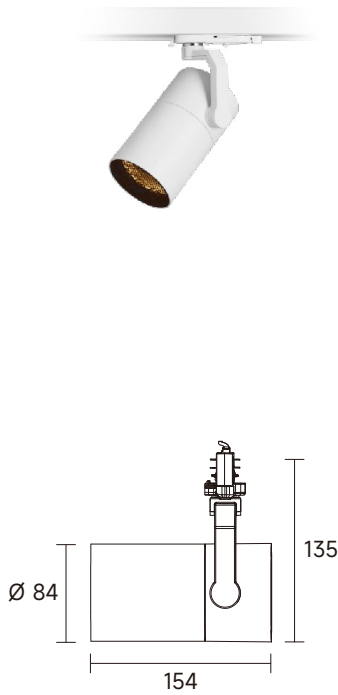
WH BK SV

Stapler

- Aluminum material in powder coating, with polycarbonate driver box.
- Lumileds COB, Ra>90, CCT 3000K/4000K/5000K in option.
- Philips driver, PF>0.95, Triac / 0-10V / Dali in option, (see details in main catalogue).
- Designed with traditional light sources, likes Gx5.3 for MR16, GU10 for QPAR16, G53 for QR111, and G8.5/G12 for CDM / CDM-T, accessories available.
- 3 phase track and 1 phase track adaptor are available.



DALI TRIAC LED IP20 0-10V RA>80 RA>90



CODE	Watts	CCT	Beam	Lumen
1910-202S	20W	WL 2700K	16°	1530 lm
1910-202M	20W	WL 2700K	22°	1506 lm
1910-202L	20W	WL 2700K	36°	1522 lm
1910-202W	20W	WL 2700K	56°	1341 lm
1910-203S	20W	WL 3000K	16°	1577 lm
1910-203M	20W	WL 3000K	22°	1553 lm
1910-203L	20W	WL 3000K	36°	1569 lm
1910-203W	20W	WL 3000K	56°	1383 lm
1910-204S	20W	NL 4000K	16°	1735 lm
1910-204M	20W	NL 4000K	22°	1708 lm
1910-204L	20W	NL 4000K	36°	1726 lm
1910-204W	20W	NL 4000K	56°	1521 lm
1910-20CS	20W	CL 5700K	16°	1908 lm
1910-20CM	20W	CL 5700K	22°	1879 lm
1910-20CL	20W	CL 5700K	36°	1898 lm
1910-20CW	20W	CL 5700K	56°	1673 lm

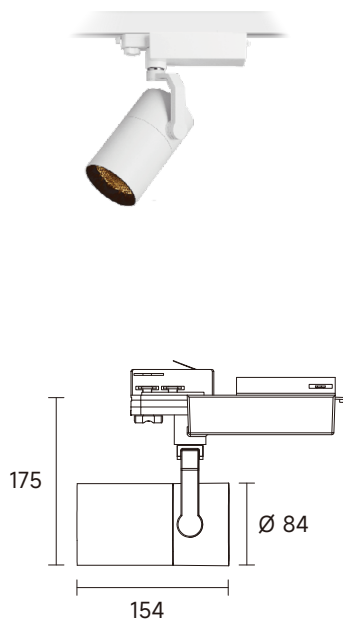
DALI

TRIAC

LED

IP20

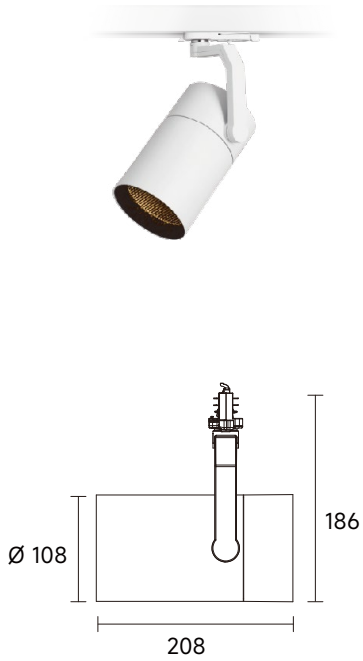
0-10V

RA>
80RA>
90

CODE	Watts	CCT	Beam	Lumen
1910P-202S	20W	WL 2700K	16°	1530 lm
1910P-202M	20W	WL 2700K	22°	1506 lm
1910P-202L	20W	WL 2700K	36°	1522 lm
1910P-202W	20W	WL 2700K	56°	1341 lm
1910P-203S	20W	WL 3000K	16°	1577 lm
1910P-203M	20W	WL 3000K	22°	1553 lm
1910P-203L	20W	WL 3000K	36°	1569 lm
1910P-203W	20W	WL 3000K	56°	1383 lm
1910P-204S	20W	NL 4000K	16°	1735 lm
1910P-204M	20W	NL 4000K	22°	1708 lm
1910P-204L	20W	NL 4000K	36°	1726 lm
1910P-204W	20W	NL 4000K	56°	1521 lm
1910P-20CS	20W	CL 5700K	16°	1908 lm
1910P-20CM	20W	CL 5700K	22°	1879 lm
1910P-20CL	20W	CL 5700K	36°	1898 lm
1910P-20CW	20W	CL 5700K	56°	1673 lm

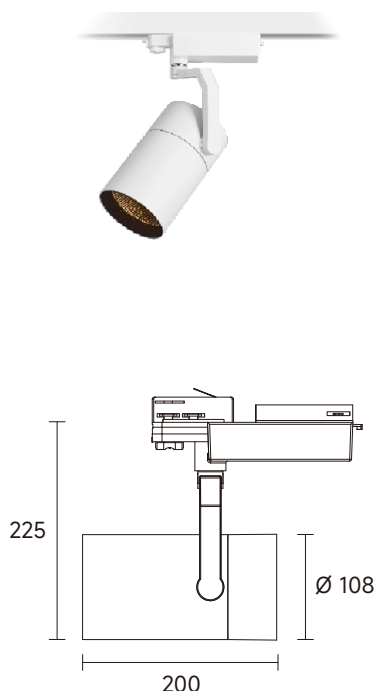
CODE	Watts	CCT	Beam	Lumen
1910P-302S	30W	WL 2700K	16°	2273 lm
1910P-302M	30W	WL 2700K	22°	2215 lm
1910P-302L	30W	WL 2700K	36°	2197 lm
1910P-302W	30W	WL 2700K	56°	1959 lm
1910P-303S	30W	WL 3000K	16°	2343 lm
1910P-303M	30W	WL 3000K	22°	2283 lm
1910P-303L	30W	WL 3000K	36°	2265 lm
1910P-303W	30W	WL 3000K	56°	2020 lm
1910P-304S	30W	NL 4000K	16°	2577 lm
1910P-304M	30W	NL 4000K	22°	2511 lm
1910P-304L	30W	NL 4000K	36°	2492 lm
1910P-304W	30W	NL 4000K	56°	2222 lm
1910P-30CS	30W	CL 5700K	16°	2835 lm
1910P-30CM	30W	CL 5700K	22°	2762 lm
1910P-30CL	30W	CL 5700K	36°	2741 lm
1910P-30CW	30W	CL 5700K	56°	2444 lm

DALI TRIAC LED IP20 0-10V RA>80 RA>90



CODE	Watts	CCT	Beam	Lumen
1911-302S	30W	WL 2700K	16°	2243 lm
1911-302M	30W	WL 2700K	22°	2005 lm
1911-302L	30W	WL 2700K	36°	2190 lm
1911-302W	30W	WL 2700K	56°	2148 lm
1911-303S	30W	WL 3000K	16°	2312 lm
1911-303M	30W	WL 3000K	22°	2067 lm
1911-303L	30W	WL 3000K	36°	2258 lm
1911-303W	30W	WL 3000K	56°	2214 lm
1911-304S	30W	NL 4000K	16°	2543 lm
1911-304M	30W	NL 4000K	22°	2274 lm
1911-304L	30W	NL 4000K	36°	2484 lm
1911-304W	30W	NL 4000K	56°	2435 lm
1911-30CS	30W	CL 5700K	16°	2798 lm
1911-30CM	30W	CL 5700K	22°	2501 lm
1911-30CL	30W	CL 5700K	36°	2732 lm
1911-30CW	30W	CL 5700K	56°	2679 lm

DALI TRIAC LED IP20 0-10V RA>80 RA>90



CODE	Watts	CCT	Beam	Lumen
1911P-302S	30W	WL 2700K	16°	2243 lm
1911P-302M	30W	WL 2700K	22°	2005 lm
1911P-302L	30W	WL 2700K	36°	2190 lm
1911P-302W	30W	WL 2700K	56°	2148 lm
1911P-303S	30W	WL 3000K	16°	2312 lm
1911P-303M	30W	WL 3000K	22°	2067 lm
1911P-303L	30W	WL 3000K	36°	2258 lm
1911P-303W	30W	WL 3000K	56°	2214 lm
1911P-304S	30W	NL 4000K	16°	2543 lm
1911P-304M	30W	NL 4000K	22°	2274 lm
1911P-304L	30W	NL 4000K	36°	2484 lm
1911P-304W	30W	NL 4000K	56°	2435 lm
1911P-30CS	30W	CL 5700K	16°	2798 lm
1911P-30CM	30W	CL 5700K	22°	2501 lm
1911P-30CL	30W	CL 5700K	36°	2732 lm
1911P-30CW	30W	CL 5700K	56°	2679 lm

CODE	Watts	CCT	Beam	Lumen
1911P-402S	40W	WL 2700K	16°	2668 lm
1911P-402M	40W	WL 2700K	22°	2512 lm
1911P-402L	40W	WL 2700K	36°	2667 lm
1911P-402W	40W	WL 2700K	56°	2591 lm
1911P-403S	40W	WL 3000K	16°	2750 lm
1911P-403M	40W	WL 3000K	22°	2590 lm
1911P-403L	40W	WL 3000K	36°	2749 lm
1911P-403W	40W	WL 3000K	56°	2671 lm
1911P-404S	40W	NL 4000K	16°	3025 lm
1911P-404M	40W	NL 4000K	22°	2849 lm
1911P-404L	40W	NL 4000K	36°	3024 lm
1911P-404W	40W	NL 4000K	56°	2938 lm
1911P-40CS	40W	CL 5700K	16°	3328 lm
1911P-40CM	40W	CL 5700K	22°	3134 lm
1911P-40CL	40W	CL 5700K	36°	3326 lm
1911P-40CW	40W	CL 5700K	56°	3232 lm