



WH BK

Sirius

- Mini aperture architectural design with mini LED head from 1 light to 6 lights.
- High efficiency LED design up to 132 lm/w at 3000k, CRI90 in option.



16°



22°

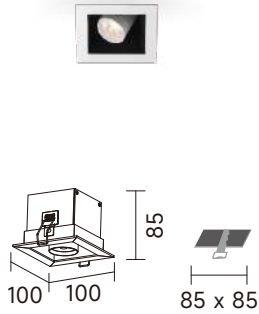


38°



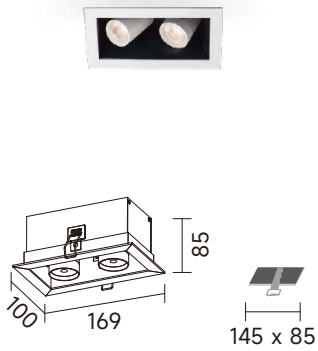
66°

DALI TRIAC LED IP20 0-10V RA>80 RA>90



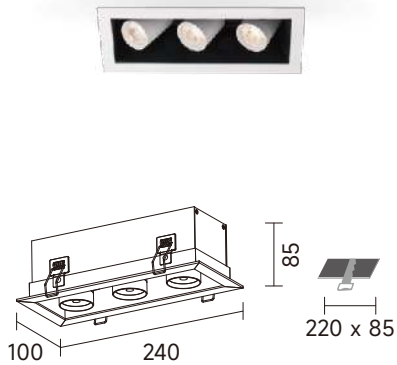
CODE	Watts	CCT	Beam	Lumen
83711-043S	4W	WL 3000K	16°	528 lm
83711-043M	4W	WL 3000K	22°	490 lm
83711-043L	4W	WL 3000K	38°	543 lm
83711-043O	4W	WL 3000K	66°	437 lm
83711-044S	4W	NL 4000K	16°	580 lm
83711-044M	4W	NL 4000K	22°	539 lm
83711-044L	4W	NL 4000K	38°	597 lm
83711-044O	4W	NL 4000K	66°	480 lm

DALI TRIAC LED IP20 0-10V RA>80 RA>90



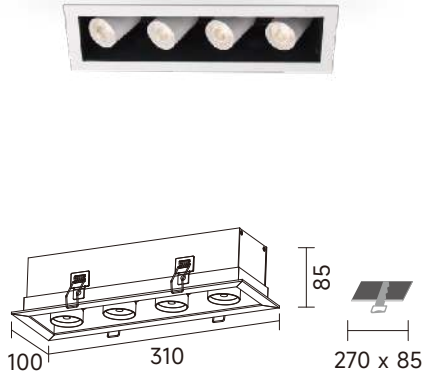
CODE	Watts	CCT	Beam	Lumen
83712-083S	4W * 2	WL 3000K	16°	1019 lm
83712-083M	4W * 2	WL 3000K	22°	838 lm
83712-083L	4W * 2	WL 3000K	38°	1039 lm
83712-083O	4W * 2	WL 3000K	66°	829 lm
83712-084S	4W * 2	NL 4000K	16°	1120 lm
83712-084M	4W * 2	NL 4000K	22°	921 lm
83712-084L	4W * 2	NL 4000K	38°	1142 lm
83712-084O	4W * 2	NL 4000K	66°	911 lm

DALI TRIAC LED IP20 0-10V RA>80 RA>90



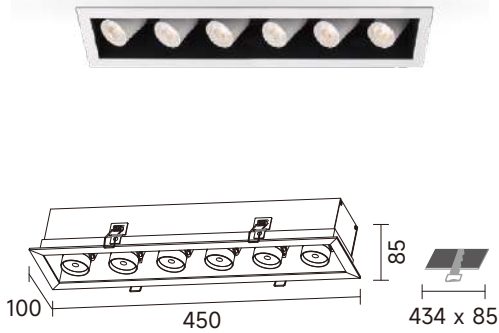
CODE	Watts	CCT	Beam	Lumen
83713-123S	4W * 3	WL 3000K	16°	1584 lm
83713-123M	4W * 3	WL 3000K	22°	1470 lm
83713-123L	4W * 3	WL 3000K	38°	1629 lm
83713-123O	4W * 3	WL 3000K	66°	1311 lm
83713-124S	4W * 3	NL 4000K	16°	1742 lm
83713-124M	4W * 3	NL 4000K	22°	1617 lm
83713-124L	4W * 3	NL 4000K	38°	1791 lm
83713-124O	4W * 3	NL 4000K	66°	1442 lm

DALI TRIAC LED IP20 0-10V RA>80 RA>90



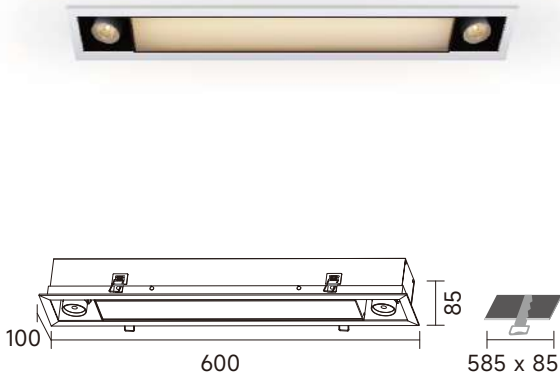
CODE	Watts	CCT	Beam	Lumen
83714-163S	4W * 4	WL 3000K	16°	1970 lm
83714-163M	4W * 4	WL 3000K	22°	1890 lm
83714-163L	4W * 4	WL 3000K	38°	2048 lm
83714-163O	4W * 4	WL 3000K	66°	1656 lm
83714-164S	4W * 4	NL 4000K	16°	2167 lm
83714-164M	4W * 4	NL 4000K	22°	2079 lm
83714-164L	4W * 4	NL 4000K	38°	2252 lm
83714-164O	4W * 4	NL 4000K	66°	1821 lm

DALI TRIAC LED IP20 0-10V RA>80 RA>90



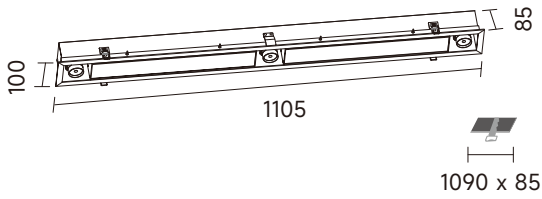
CODE	Watts	CCT	Beam	Lumen
83716-243S	4W * 6	WL 3000K	16°	3168 lm
83716-243M	4W * 6	WL 3000K	22°	2940 lm
83716-243L	4W * 6	WL 3000K	38°	3258 lm
83716-243O	4W * 6	WL 3000K	66°	2622 lm
83716-244S	4W * 6	NL 4000K	16°	3484 lm
83716-244M	4W * 6	NL 4000K	22°	3234 lm
83716-244L	4W * 6	NL 4000K	38°	3538 lm
83716-243O	4W * 6	NL 4000K	66°	2884 lm

DALI TRIAC LED IP20 0-10V RA>80 RA>90



CODE	Watts	CCT	Beam	Lumen
83722-203S	20W	WL 3000K	16°	1850 lm
83722-203M	20W	WL 3000K	22°	1850 lm
83722-203L	20W	WL 3000K	38°	1850 lm
83722-203O	20W	WL 3000K	66°	1850 lm
83722-204S	20W	NL 4000K	16°	2035 lm
83722-204M	20W	NL 4000K	22°	2035 lm
83722-204L	20W	NL 4000K	38°	2035 lm
83722-204O	20W	NL 4000K	66°	2035 lm

DALI TRIAC LED IP20 0-10V RA>80 RA>90



CODE	Watts	CCT	Beam	Lumen
83723-363S	36W	WL 3000K	16°	2367 lm
83723-363M	36W	WL 3000K	22°	2367 lm
83723-363L	36W	WL 3000K	38°	2367 lm
83723-363O	36W	WL 3000K	66°	2367 lm
83723-364S	36W	NL 4000K	16°	2603 lm
83723-364M	36W	NL 4000K	22°	2603 lm
83723-364L	36W	NL 4000K	38°	2603 lm
83723-364O	36W	NL 4000K	66°	2603 lm