



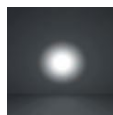
90°Tilt



WH BK SV

Mirrige

- Aluminum material in powder coating.
- Without track box and build-in driver allows elegant architectural design.
- With track box and drop-in driver for higher watts and functional control system.
- Philips COB, Ra>90, CCT 3000K/ 4000K/5000K in option, 3 SDCM.
- Philips driver, PF>0.95, Triac / 0-10V / Dali in option, (see details in main catalogue).
- Spot / Medium / Flood lens in option, changeable in the field.
- Elliptic / Soft light / Frost focus optic filter in option.
- Easily change on the accessories by removing the baffle.
- Black / Soft Gold / White baffle in option.
- 3 phase track and 1 phase track adaptor are available.



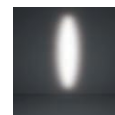
24°



36°

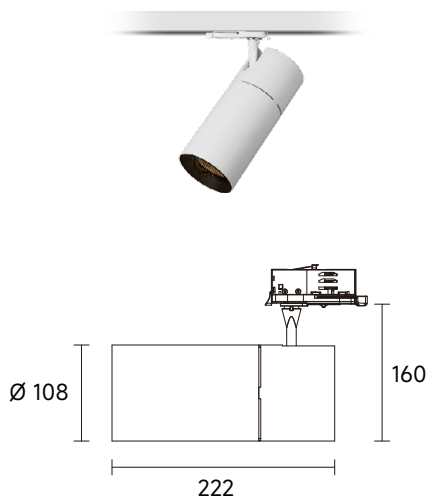


54°



Oval

LED IP20 0-10V RA>80 RA>90



CODE	Watts	CCT	Beam	Lumen
1913-402M	40W	WL 2700K	22°	3920 lm
1913-402L	40W	WL 2700K	36°	4129 lm
1913-402F	40W	WL 2700K	48°	3671 lm
1913-403M	40W	WL 3000K	22°	4041 lm
1913-403L	40W	WL 3000K	36°	4257 lm
1913-403F	40W	WL 3000K	48°	3785 lm
1913-404M	40W	NL 4000K	22°	4446 lm
1913-404L	40W	NL 4000K	36°	4682lm
1913-404F	40W	NL 4000K	48°	4163 lm