

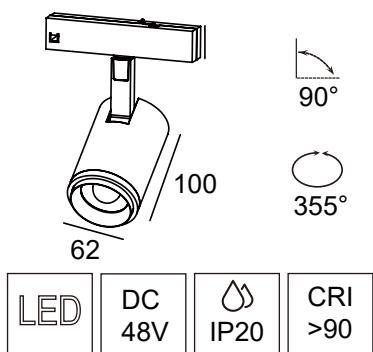


·Aluminum die casting with fine powder coating.

·15w with adjustable beam function designed for shop and access lighting.



Adjustable beam



Code	Watts	CCT	Lumens	Beam
MT5305	15 W	3000 K	680 lm	15°~55°