



WH BK SV

Hawkeye

- Metal sheet with electrostatic powder coating.
- Designed in 3 size with LED module 7W / 13W and 19W.
- With and without pin hole snoot highly recommended to task lighting.
- Very thin trim 1 mm only.
- Black color on core without light leak.



16°



18°



28°



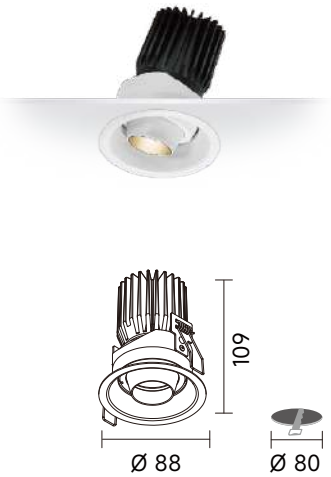
34°

DALI TRIAC LED IP20 0-10V RA>80 RA>90



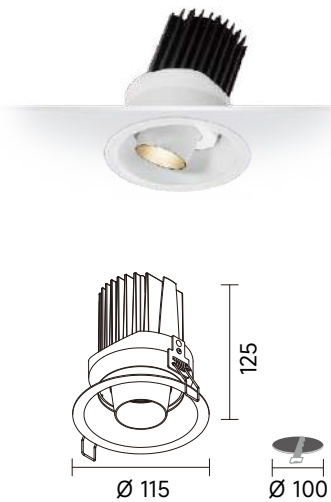
CODE	Watts	CCT	Beam	Lumen
2080-072S	7W	WL 2700K	16°	287 lm
2080-072M	7W	WL 2700K	26°	267 lm
2080-073S	7W	WL 3000K	16°	296 lm
2080-073M	7W	WL 3000K	26°	276 lm
2080-074S	7W	NL 4000K	16°	325 lm
2080-074M	7W	NL 4000K	26°	303 lm

DALI TRIAC LED IP20 0-10V RA>80 RA>90



CODE	Watts	CCT	Beam	Lumen
2079-132S	13W	WL 2700K	16°	319 lm
2079-132M	13W	WL 2700K	28°	308 lm
2079-133S	13W	WL 3000K	16°	329 lm
2079-133M	13W	WL 3000K	28°	318 lm
2079-134S	13W	NL 4000K	16°	361 lm
2079-134M	13W	NL 4000K	28°	349 lm

DALI TRIAC LED IP20 0-10V RA>80 RA>90



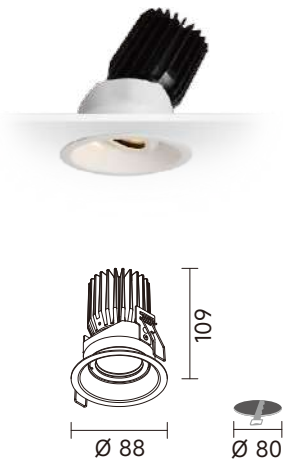
CODE	Watts	CCT	Beam	Lumen
2078-192S	19W	WL 2700K	16°	872 lm
2078-192M	19W	WL 2700K	28°	733 lm
2078-193S	19W	WL 3000K	16°	899 lm
2078-193M	19W	WL 3000K	28°	756 lm
2078-194S	19W	NL 4000K	16°	988 lm
2078-194M	19W	NL 4000K	28°	831 lm

DALI TRIAC LED IP20 0-10V RA>80 RA>90



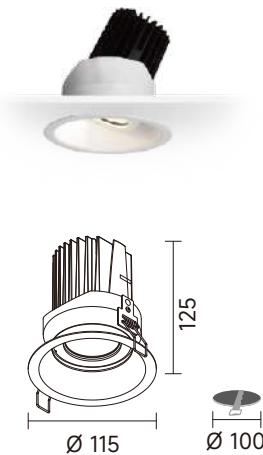
CODE	Watts	CCT	Beam	Lumen
2080A-072S	7W	WL 2700K	18°	567 lm
2080A-072L	7W	WL 2700K	34°	526 lm
2080A-073S	7W	WL 3000K	18°	585 lm
2080A-073L	7W	WL 3000K	34°	543 lm
2080A-074S	7W	NL 4000K	18°	643 lm
2080A-074L	7W	NL 4000K	34°	597 lm

DALI TRIAC LED IP20 0-10V RA>80 RA>90



CODE	Watts	CCT	Beam	Lumen
2080A-072S	13W	WL 2700K	18°	567 lm
2080A-072L	13W	WL 2700K	34°	526 lm
2080A-073S	13W	WL 3000K	18°	585 lm
2080A-073L	13W	WL 3000K	34°	543 lm
2080A-074S	13W	NL 4000K	18°	643 lm
2080A-074L	13W	NL 4000K	34°	597 lm

DALI TRIAC LED IP20 0-10V RA>80 RA>90



CODE	Watts	CCT	Beam	Lumen
2078A-192M	19W	WL 2700K	24°	1823 lm
2078A-192L	19W	WL 2700K	40°	1609 lm
2078A-193M	19W	WL 3000K	24°	1880 lm
2078A-193L	19W	WL 3000K	40°	1659 lm
2078A-194M	19W	NL 4000K	24°	2068 lm
2078A-194L	19W	NL 4000K	40°	1824 lm